

## DC Fuse 15a 1000v



Factory Direct Sale Quality DC Fuse 15a 1000v with Low Price Manufacturers and Suppliers. Wholesale Factory Direct Sale Quality DC Fuse 15a 1000v from us - one of most professional Manufacturers and Suppliers in China! Why choose our hot selling DC Fuse 15a 1000v? A range of 10\*38mm DC fuse links specifically designed for protecting photovoltaic strings. These fuse links are capable of interrupting low overcurrents associated with faulted photovoltaic string arrays( reverse current, multi-array fault).

## Factory Direct Sale Quality DC Fuse 15a 1000v Manufacturers and Suppliers

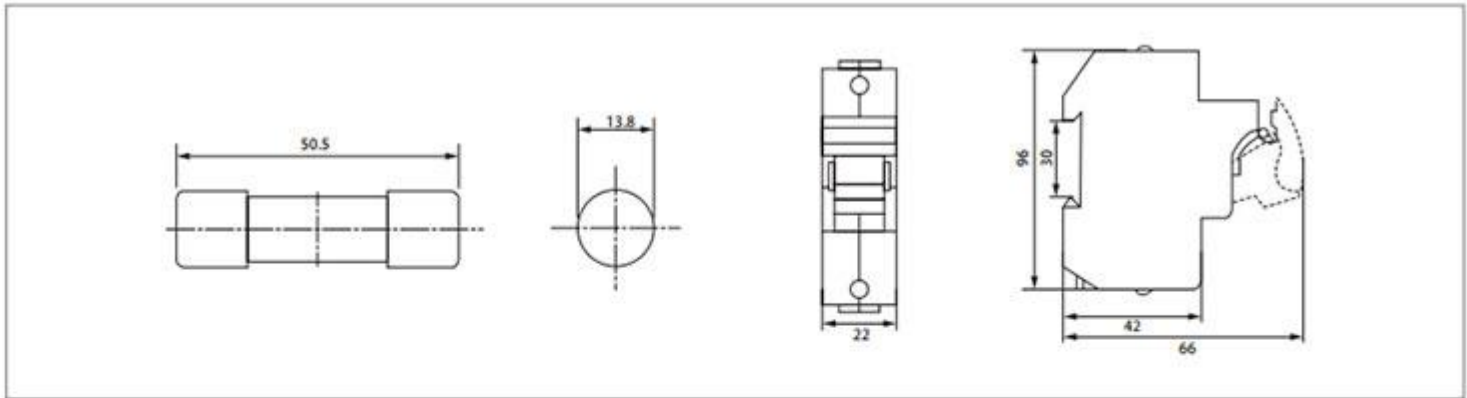
### 1.YL-PV DC FUSE 1000VDC -

Wholesale Factory Direct Sale Quality DC Fuse 15a 1000v from us - one of most professional Manufacturers and Suppliers in China! Why choose our hot selling DC Fuse 15a 1000v? A range of 10\*38mm DC fuse links specifically designed for protecting photovoltaic strings. These fuse links are capable of interrupting low overcurrents associated with faulted photovoltaic string arrays( reverse current, multi-array fault).

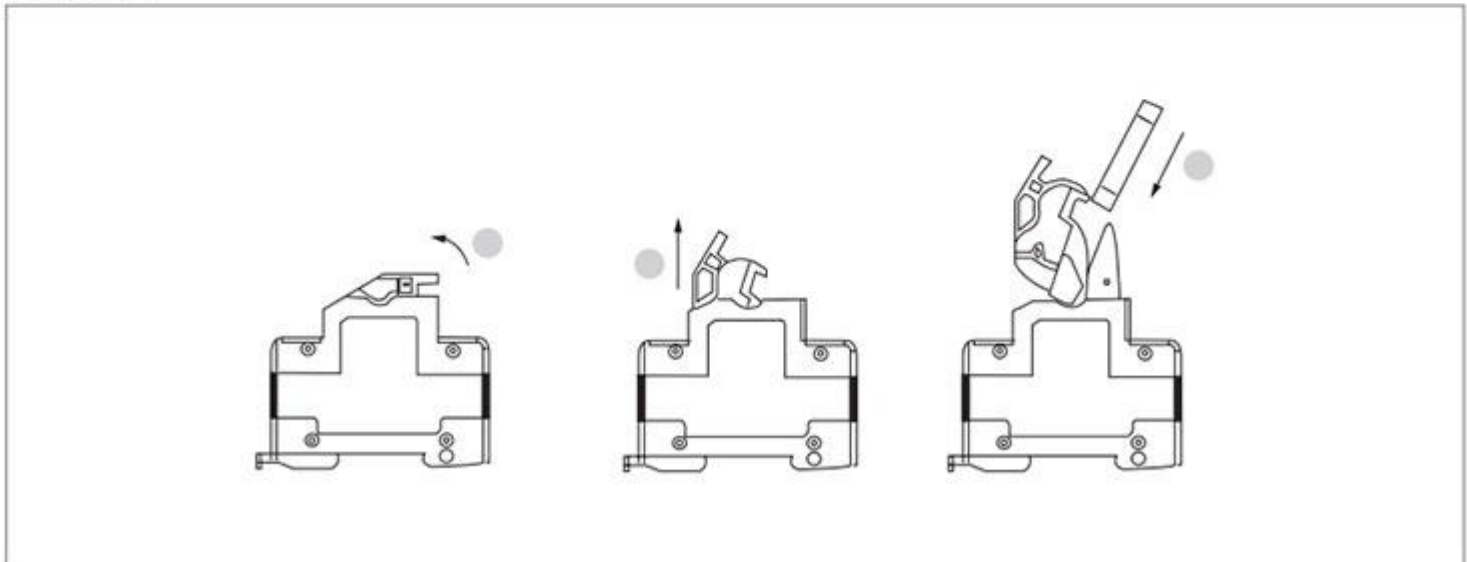
### 2.DC FUSE Technical Data

Item	DC FUSE
Product name	FDS-32
Product name	1P
Product name	1-32A
Product name	CCC/CE/TUV/ROHS
Product name	"-30°"to +70°
Dimension(W)X(H)X(D)	18*60*78mm
FUSE size	10*38mm

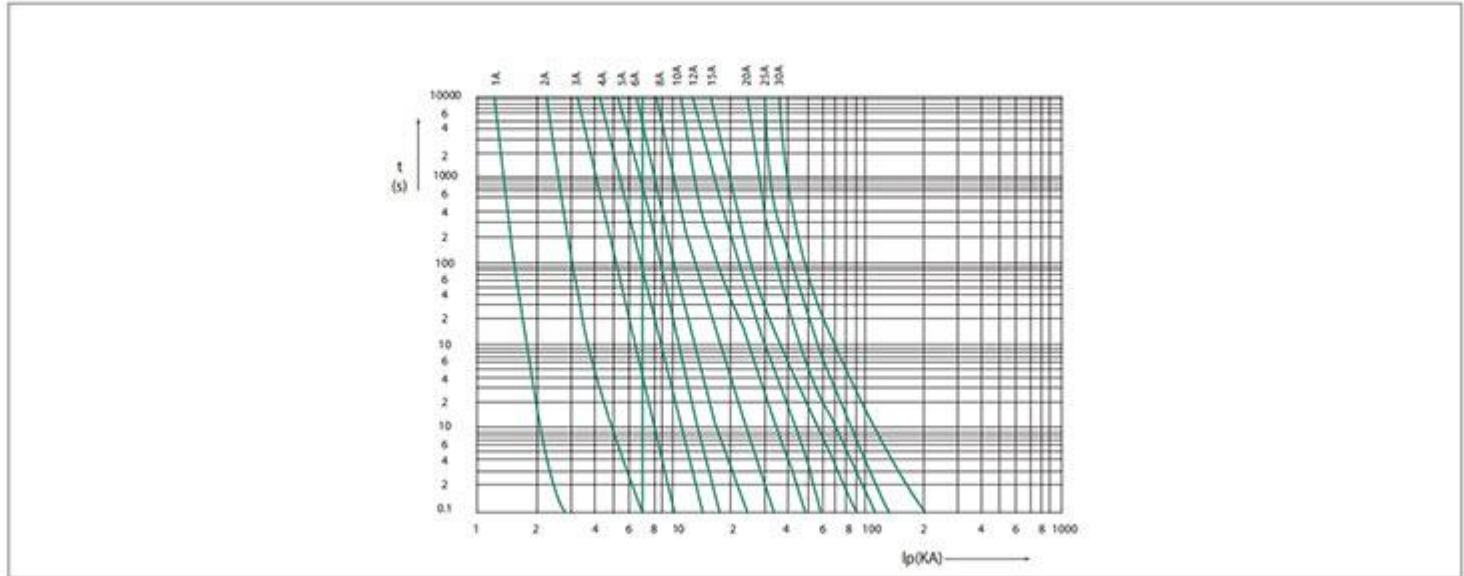
## Dimension



## Installation



## Characteristic Cure



### 3.FAQ

**Q:When I can receive quotation and detail information after send the enquiry?**

A:Reply will be sent in 24hours.

**Q:What's the difference between you and other suppliers?**

A:We have our own design box with PC/ABS material.

**Q:Do you provide samples ? is it free or extra ?**

A: Yes, we could offer the sample for free charge but do not pay the cost of freight.

**Q:Can I get a sample for test before place order?**

A:Of course!

**Q:How's the delivery?Because I really need them is urgently?**

A:Samples cost 2-3 days. Bulk order cost 12-15 days.

**Q:If i want to release order, what's the payment method you accept ?**



[www.ylongelec.com](http://www.ylongelec.com)

A:We accept T/T, Western union, Trade Assurance.

**Tel:**+86-13858881592

**Email:**[ceo@ylongelec.com](mailto:ceo@ylongelec.com)